



Application

The D-ZS 130 is used for fail-safe contact doubling of the flame relay contact of any DURAG flame monitor. In general all DURAG flame monitors have a single flame relay output contact (SPDT). On some applications two contacts (DPDT) are required. In this case the D-ZS 130 Fail Safe Relay Card can be used to double the number of contacts. The card is connected to the flame relay output contact of the flame monitor control unit. Thereby, the internal +20V can be used to supply also the D-ZS 130 Fail Safe Relay Card.

The use of the D-ZS 130 Fail Safe Relay Card is not limited to DURAG flame monitors. It can be used on any application where fail safe relay contacts have to be doubled.

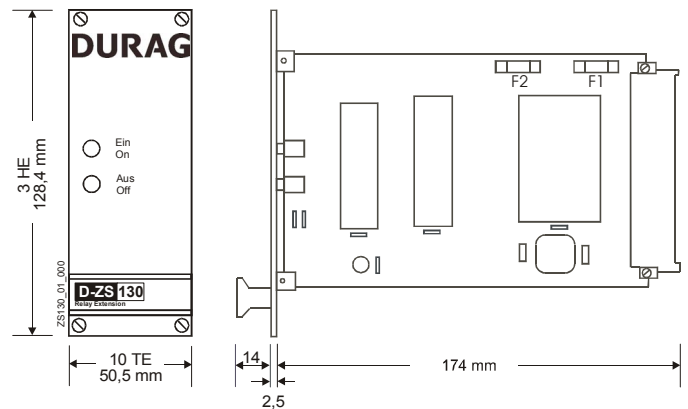
Characteristics

- Fail-safe contact doubling of the flame relay contacts
- Easy Connection to D-UG 110, D-UG 120 and D-UG 660 and D-LX 100 Flame Monitors
- In Combination with DURAG Flame Monitors No Extra Power Supply Required
- 19" Plug-In module

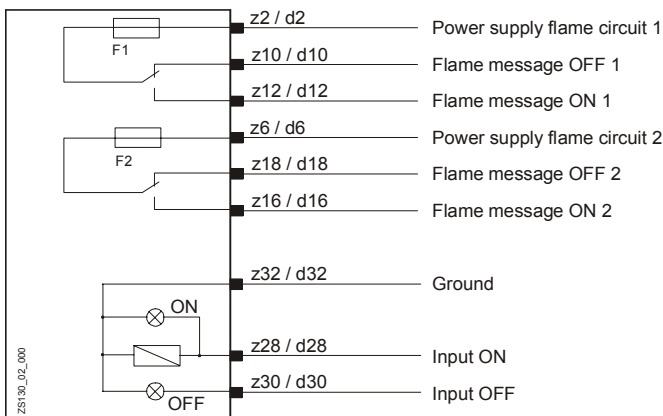
Technical Data

Dimensions (WxHxD): 19" module, width: 10 units, height: 3 units
 Supply Voltage: 20 to 24 V dc
 Output Contacts: Two Fail Safe Relay Contacts (DPDT)
 Switching Capacity : 250 V ac / 2 A resistive
 Max. Ambient Temperature : ...-20°C to +60°C
 Protection (EN 60529): IP 00
 Electrical connection: 32-polige terminal strip (type F)
 Weight: approximately 255 g

Dimensional Drawing



Wiring Diagram



Ordering Information:

D-ZS 130 Fail Safe Relay Card