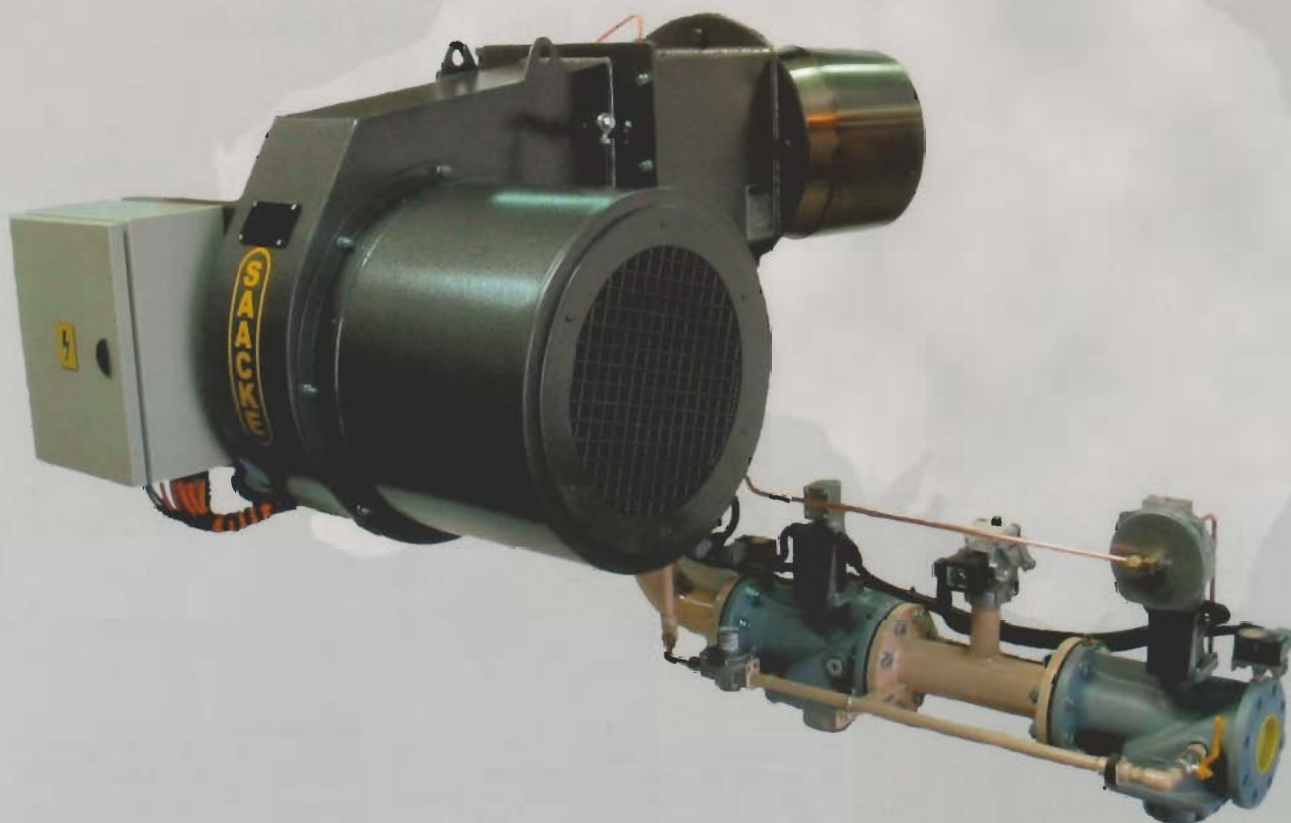


Eurotherm PGSM40 MK6

GAS, OIL, DUAL FUEL BURNERS



SAACKE

combustion and energy systems

PGSM40 GAS BURNER PSM40 OIL BURNER PDSM40 DUAL FUEL BURNER

Technical Specification

Operation

High/Low Standard for gas, oil or dual fuel.
Modulation option on gas firing.

Features

- Hinged burner head
- Special high efficiency, high-pressure rise design fan.
- Fan noise attenuator standard supply

Burner Controls

Burner fitted with photocell flame monitoring via sequence control box.

Ignition System

Gas/Electric Igniter spark ignition (oil only)

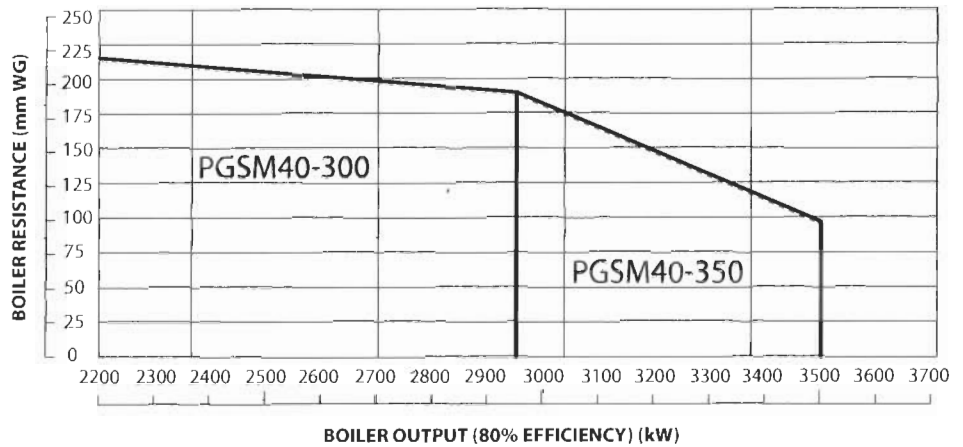
Accessories

- Inlet oil hose & filter included on oil burner

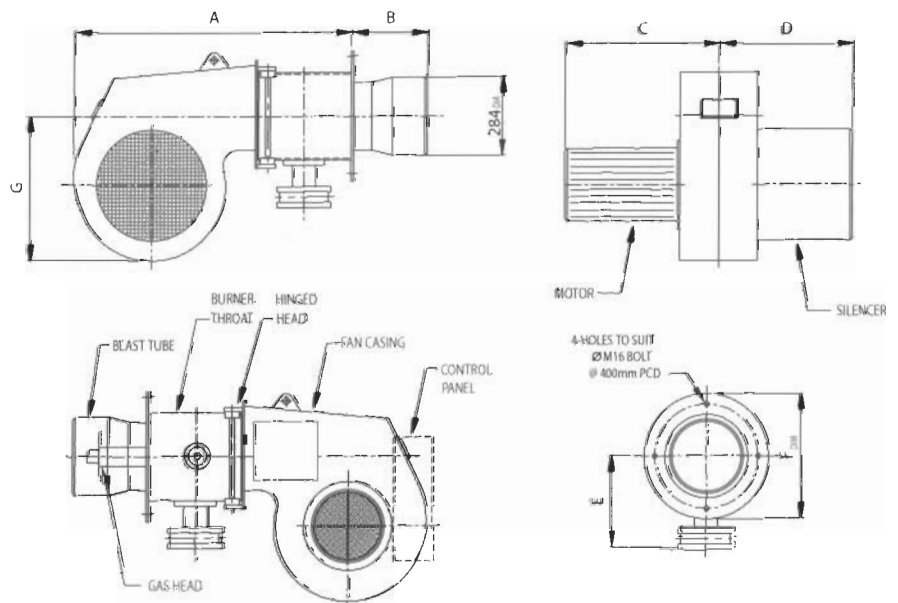
Optional Extras

- AS2593 Compliance Code
- U.V. Flame Sensor
- Acoustic Hush Box
- Gas Valve Position Options
- O.P.S.O Gas Regulator/Filter Set with Test points for H.P. Gas applications
- Electronic air/fuel ratio system
- Variable blast tube lengths available

Burner Selection Chart



Burner Leading Dimensions



Electrical Data

Burner leading on oil or gas only (for dual fuel add pump set data to burner data)				
Frame Size	No. OF Phase	Motor kW	Start Current amps	Running Current amps
PGSM40-300	3	11	165	19
PGSM40-350	3	15	226	26

BURNER DIMENSIONS

TYPE No.	A	B	C	D	E	F	G
PGSM40-300	1080	206	593.5	528.5	350	480	555
PGSM40-350	1080	206	593.5	528.5	350	480	555

Saacke Australia Pty Ltd is a wholly-owned subsidiary of the Saacke Group of Companies.
The Australian company was founded in 1973 to serve the Australian market with quality combustion products and services.

Sydney Office

Factory 14 / 22 Oramzi Road
Girraween NSW 2145
Telephone (02) 9636 7777
Fax (02) 9631 3413
Email admin@saacke.com.au



combustion and energy systems

Melbourne Office

Unit 5
59 Malvern Street
Bayswater VIC 3153
Telephone (03) 9738 2222
Fax (03) 9738 2111